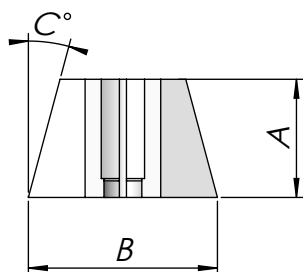
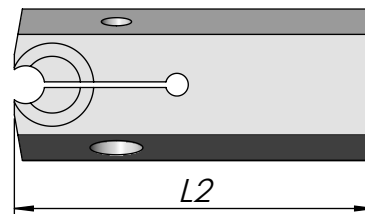
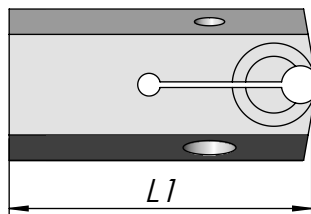
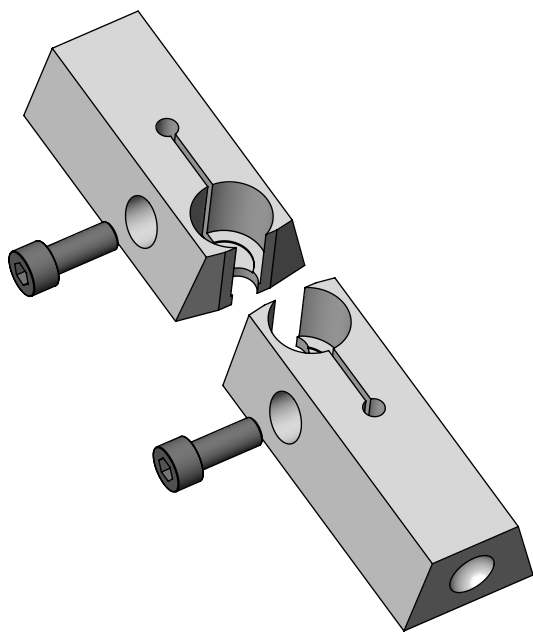
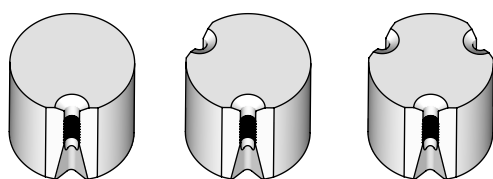


Company	Date
Contact	

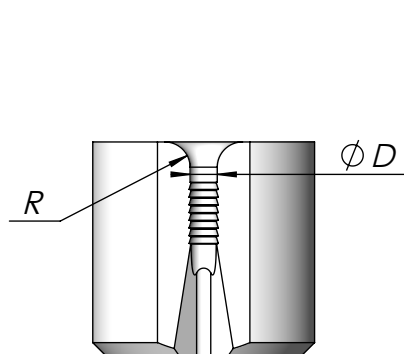
Die Holder



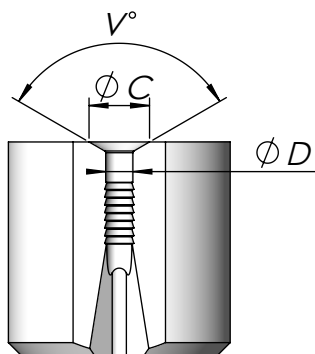
Type	
L1	
L2	
A	
B	
C°	



Die Inserts



Radius



Countersunk

Type	
ØD	
R	
ØC	
V°	

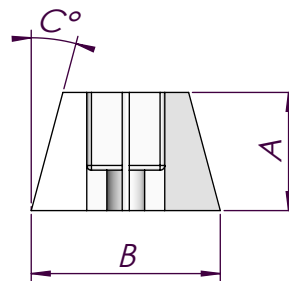
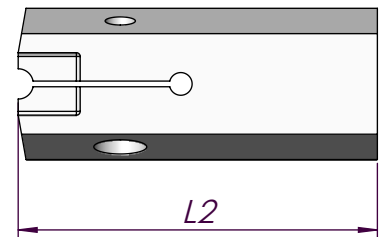
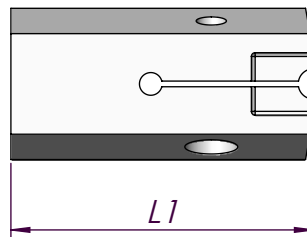
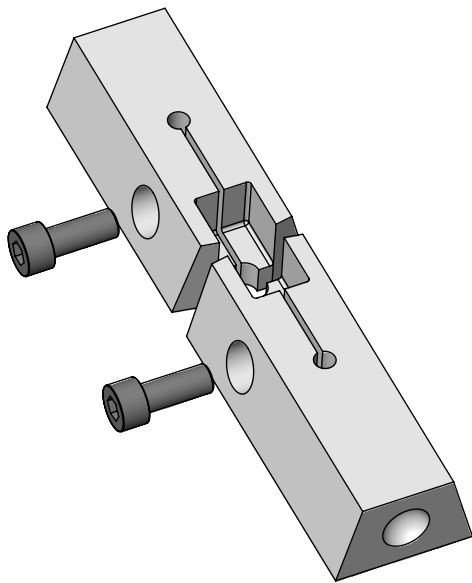


Company

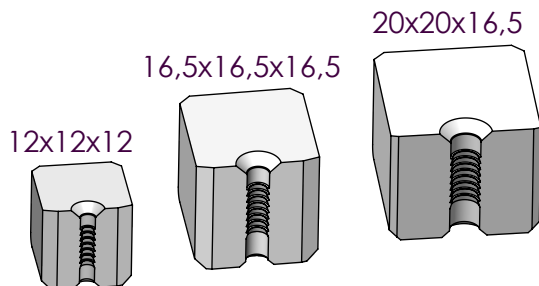
Date

Contact

Die Holder

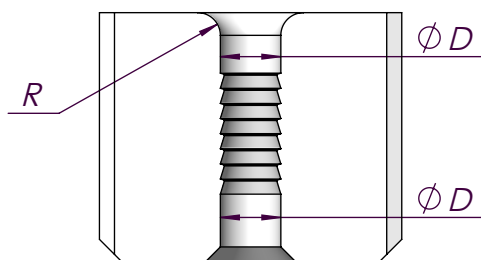


Type	
L1	
L2	
A	
B	
C°	

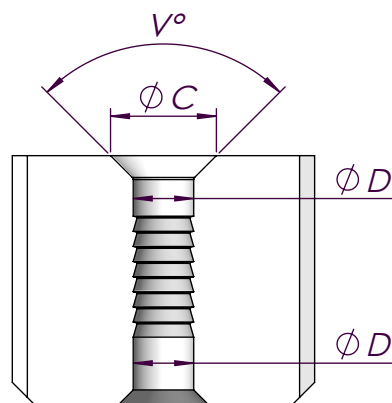


Die Inserts

Type	
Ø D	
R	
Ø C	
V°	



Radius



Countersunk

HAMEX

www.hamex.se

+46 (0)13-357 650

Håmex Hårdmetallverktyg AB, PO Box 1117, SE-581 11 Linköping, Sweden
Fax +46 (0)13-357 660, info@hamex.se

