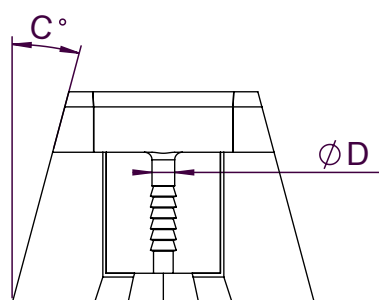


Company

Date

Contact

Brazed Dies for D-head nails



L1	
L2	
H1	
H2	
B	
C°	
ØD	

