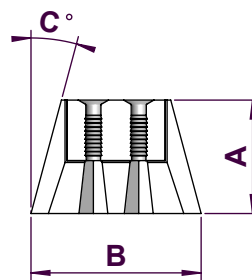
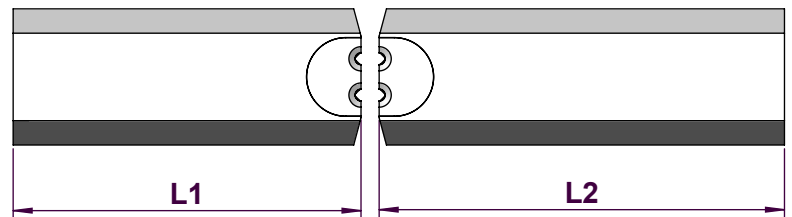
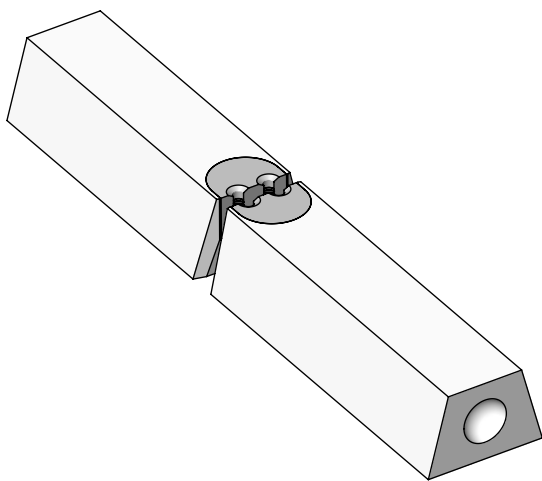
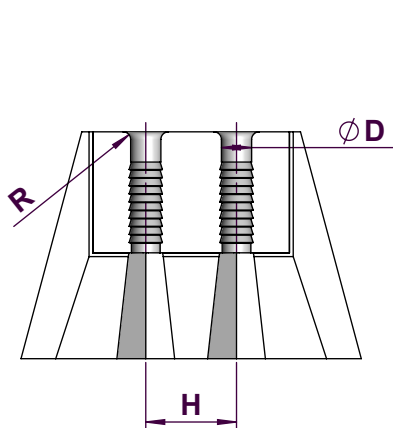


Company	Date
Contact	

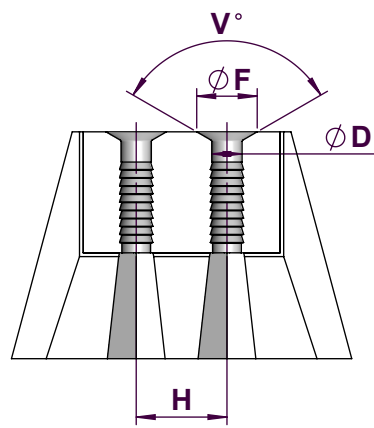
Brazed Dies Double Wire



Type	
L1	
L2	
A	
B	
C°	



Radius



Countersunk

Type	
ØD	
R	
ØF	
V°	
H	

